

Nesting Tables

Assembly Instruction

SKU: SMCMCNT1

SMCMCNT2



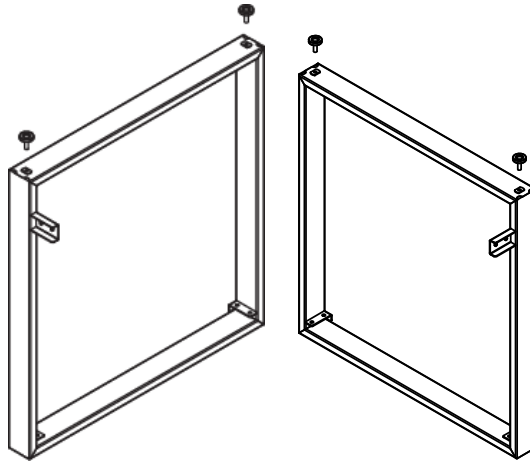
DISPLAYS2GO

CONNECTING PEOPLE & BRANDS WITH THE WORLD


1 For larger table:


1a. Screw in feet on each frame. (x4)


1b. Flip over.



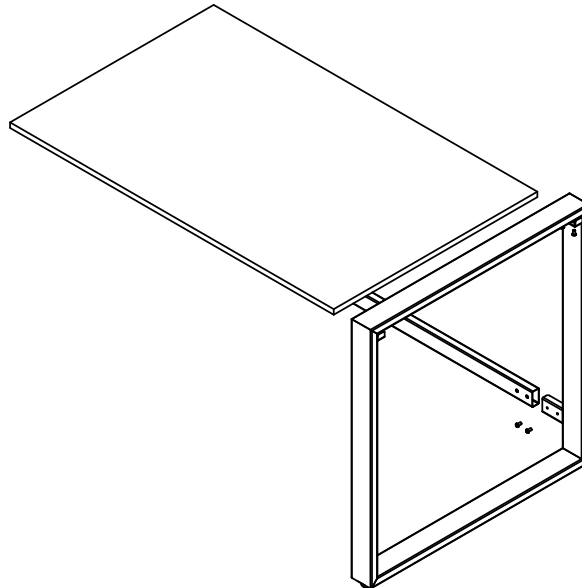
Hardware:

1: Flat head screw 1/4-20*0.625" 20pcs 

2: Allen wrench 1pcs 

3: White levelers 3/8-16*0.75" 8PCS 

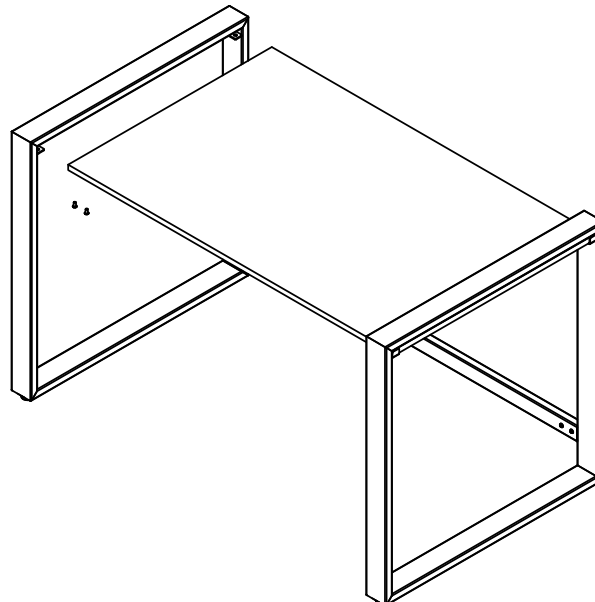
2



2a. Slide support bar into groove, then screw together. (2 screws)

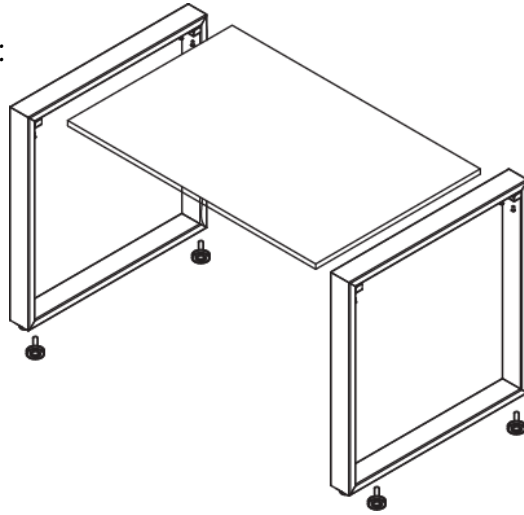
2b. Slide tabletop into bracket and insert screws to secure. (x4)

3



3. Repeat steps 2a and 2b on opposite side to complete table.

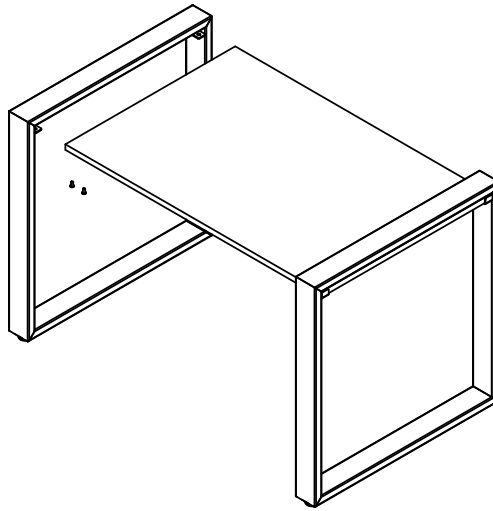
④ For smaller table:



4a. Insert feet into each side of frame. (x4)

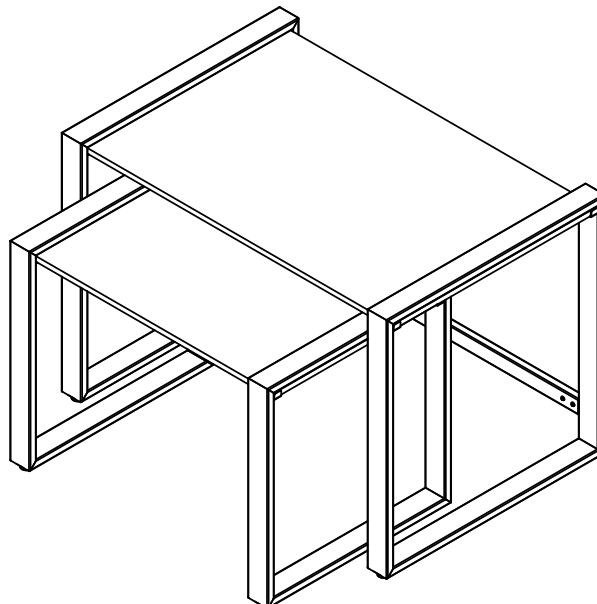
4b. Slide tabletop into bracket and insert screws to secure. (x4)

⑤



5. Attach opposite side frame. (x4)

⑥



Scan QR code to visit product page

If you have any questions regarding our products, please visit us at www.displays2go.com or contact D2g customer service at 844-221-3388.